



A Division of Bundle City, Inc.

www.Arrowmounts.com

Plasma & LCD Wall Mount Product Guide

How to Select and Install a Wall Mount

Frequently Asked Questions

- Which mounts will my flat screen TV work with?
- What is the difference between a Plasma and LCD TV?
- What are the various types of mounts that are available for displaying a flat screen TV?
- What are benefits of wallmounts? What are some available styles and options? What about mobility options?
- What are some points to consider when deciding on a wallmount?
- What are ceiling mounts? When should they be used?
- What are flip-down mounts?
- What are tabletop or desktop mounts?
- What are plasma lifts?
- What is VESA compliance? Why is it important when choosing a mount for an LCD TV?
- What are some things to keep in mind when installing a mount?

You've made an important investment with the purchase of your LCD or plasma TV. You now want to make sure that you find a compatible mount that offers the features and functions that are important to you. Your goal should be to find a mount that will provide optimal viewing and flexibility for your flat screen TV. This guide will assist you with finding the perfect wall mount for your flat screen TV. You will find helpful information about choosing and installing a mount, including important information about the VESA standard and other guidelines.

Plasma vs. LCD TVs:

Flat screen TVs are usually made from either LCD or plasma screens. Aside from the technological differences between LCDs and plasma TVs, LCD TVs generally have smaller screen sizes than plasma TVs. For example, LCD TVs usually have screen sizes ranging from 7 inches to around 42 inches (although new technological advances are allowing for much larger LCD TVs). Plasma TVs screens usually start at around 42 inches and can go up from there.

When shopping for a mount, it is important to check the size and weight of your flat screen TV. You want to make sure that the mount you purchase can support the size and weight of your TV.

Types of Mounts:

There are various types of mounts that are available for displaying your LCD or plasma TV.

- Wall mounts – Mounts that are attached to the wall.

- Ceiling Mounts – Mounts that are attached to a ceiling.
- Tabletop/Desktop Mounts – Mounts that are installed on a desk or table.
- Flip-Down Mounts – Mounts that are ideal for cabinets where you need the option to fold or retract your screen against the bottom surface of the cabinet to make room.
- Plasma Lifts – Displays that conceal and reveal your screen within a stand or ceiling with the touch of a button.

Wall Mounts:

When it comes to wall mounts, there are several styles and options to consider. These include:

- Flat or Flush Wall mounts – These sit flush against the wall and are limited in their mobility. These are best for direct viewing of your LCD TV.
- Articulating or Retractable (A.K.A. Cantilever) Wall mounts – These can extend or retract from the wall.

You need to ask yourself whether you would need to frequently angle your TV or not. If you feel that you will rarely adjust the position of your TV, then a flush mount may be a good option for you. However, if you feel that you'd like to have the flexibility to adjust your mount in several different angles from the wall, then you should consider an articulating mount.

There are also some mobility options to consider. These options include:

- Tilting up and down
- Swiveling from side-to-side
- Flip-down option for places where you may want to install your LCD under a cabinet

Decision Guidelines:

Considering that there are several options to choose from, here are a few things to consider:

- Will you mount your screen flat for direct viewing? Then maybe you should consider a flush wall mount.
- Will you be installing your TV relatively high on the wall? Will you need to tilt your LCD down from the wall so that it is better angled for viewing? If so, you'll want to make sure that whether your mount is flush or articulating, that it has a tilt option available to you. One more thing to consider with a tilting wall mount is the ease of adjustability of the tilt. Some mounts will allow you to tilt your screen while it is still mounted. Other mounts will require you to remove the LCD from the mount before you can adjust the tilt.
- Will you need to extend your TV out from the wall? If so, then consider a wall mount with an articulating arm. Wall mounts with an articulating arm are the most versatile. These types of mounts allow for a wide range of positioning options enabled by the bend and extension of the arm. Most models also offer both tilt and/or swivel options.

Ceiling Mounts:

It is sometimes necessary to install your TV using a ceiling mount. If you do use a ceiling mount, make sure to check above your ceiling surface for wood or metal joists. It is very important to make sure your mount is properly installed. You may need to also purchase extension pipes, ceiling flanges and extension pipes necessary for mounting.

Flip-Down Mounts:

Flip-down LCD mounts are ideal for cabinets where you need the option to fold or retract your screen against the bottom surface of the cabinet to make room. Flip-down mounts offer a wide array of tilt and adjustability options, allowing for flexibility in viewing angles.

Tabletop or Desktop Mounts:

Tabletop mounts also offer many adjustability options. These are great for computer LCD monitors where one needs maximum ergonomic flexibility

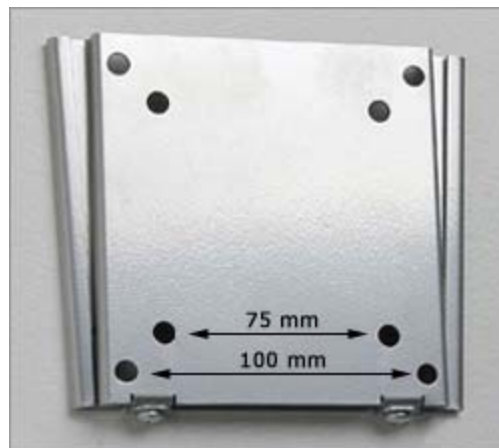
Plasma Lifts:

Plasma lifts enable you to conceal and reveal your screen within a stand or ceiling with the touch of a button.

VESA Compliance:

Now that you know what features you want in your mount, you'll need to make sure that the mount you purchase is compatible with your TV. To assist in the mount selection process, the Video Electronics Standards Association (VESA) created standards to enable easier pairing of wall mounts to LCD TVs. All LCD TVs have a hole pattern on the back to which a mount can be fastened with screws. While most LCD manufacturers conform to the VESA standard, there is no uniform standard for plasma TVs. The VESA standard is also known as the Flat Display Mounting Interface (FDMI). The VESA standard is useful when trying to figure out just what mounts will work for your TV.

The VESA standard assures that mounts that are VESA compliant and selected for the right size LCD screen will properly fit VESA compliant LCD TVs. Please refer to your LCD TV's owner's manual for information on your particular TV's VESA compliance. If your LCD TV is VESA compliant, then you should have little trouble pairing your TV with the right mount, as long as you pick a VESA compliant mount. Most LCD screen manufacturers use a standard hole pattern to enable universal mount compatibility. VESA compliant screens have square or rectangular hole patterns. The distance between the holes within these squares can be either 75 mm, 100 mm or 200 mm (see image below).



VESA compliant screens with a standard square hole pattern.

There are various VESA wall mounts made for different ranges of display sizes.

Smaller LCD screens (12 inches to 23 inches) usually conform to the VESA standard 75x75mm or 100x100mm. You should see a square configuration of holes in either or both of these sizes on the rear of your LCD screen (see image for illustration). If you don't see the hole pattern, try looking behind any possible flaps or covers that may be blocking the holes.

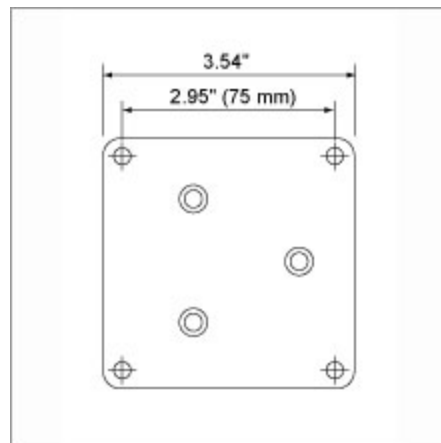
Mid-size LCD screens (24 inches to 31 inches) usually conform to the VESA standard 100x100mm, 200x100mm or 200x200mm. You should see a square or rectangular configuration of holes on the rear of the screen.

Large-size LCD screens (32 inches and larger) and plasmas have a variety on non-standard mounting configurations.

Here are some basic guidelines to follow for the various VESA standards:

VESA 75 (MIS-D 75)

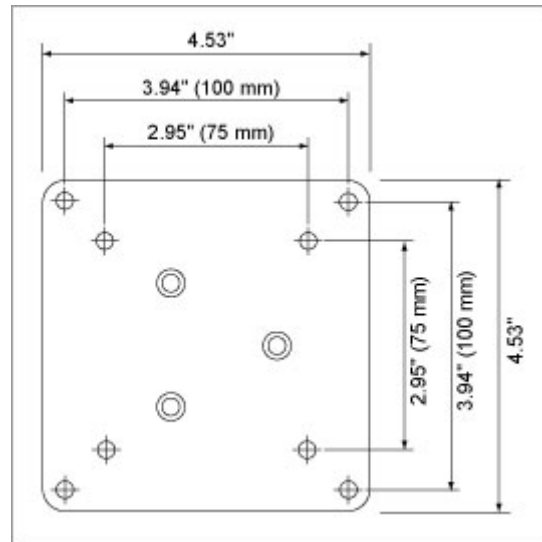
Made for smaller flat panels, the VESA 75 or MIS-D 75 pattern has four mounting holes in a 75mm x 75mm square pattern.



A VESA 75 mounting pattern

VESA 100 (MIS-D 100)

Made for medium-sized flat panels, the VESA 100 or MIS-D 100 pattern has four mounting holes in a 100mm x 100mm square pattern.



A VESA 100 mounting pattern

VESA 200x100 (MIS-E)

Made for large flat panels, the VESA 200x100 or MIS-E pattern has six mounting holes in a 200mm x 100mm rectangular pattern.

MIS-F

Made for the largest of flat panels, the MIS-F standard consists of multiple patterns, all for flat panels with 31" to 90" diagonal screen sizes. These patterns range from 200mm x 200mm to 800mm x 400mm and are less commonly seen.

If your TV is not VESA compliant, it may be necessary to purchase an adaptor plate. Since LCD or plasma TV manufacturers make a variety of hole patterns, adaptor plates ensure that mounts that are made to match most screens will accommodate a particular TV's hole pattern. Most mount manufacturers offer a list of adaptor plates that are designed to fit with most TV models. Adaptor plates are metal plates designed with the same hole pattern as your TV as well as the same hole pattern as the mount it matches. Once again, if your LCD TV is VESA compliant, a VESA adaptor plate will not be required since the pattern is already incorporated in the mount.

Mount Installation:

When it comes time to install your mount, we advise having a friend available to help with the installation, especially with LCD TVs that are very large. Make sure to read the installation instructions provided with both your mount and your LCD TV to ensure that you achieve a proper installation.

Plasma screens are very heavy. To make sure that your plasma TV is securely mounted, make sure you have a set of wall studs or a ceiling joist that will adequately support the weight of your TV. Plasma wall mounts are made for standard wall-stud spacing. Sixteen inch centers are standard for domestic applications and 24" centers are standard for industrial applications. Hardware kits are available or included for wood or metal studs, and also for solid concrete or

cinder blocks. Check to make sure the wall mount you're purchasing includes the hardware you require.

While you are free to use any process you like when installing your mount, you may want to consider the following steps. The recommended steps to take when installing a mount are as follows. You should secure your mount to its fixture in the ceiling or wall first, making sure that you have a secure and sturdy installation. You should then fasten the adapter plate to your TV. Once this is done, you can then mount your TV and adapter plate to the mount itself.

For Additional Questions, Please e-mail us at: sales@arrowmounts.com or call toll free at 888.488-2635.

**Arrowmounts.com
A Division of Bundle City, Inc.
747 Crocker Street
Los Angeles, CA 90021
Tel: 213-488-1200
Fax: 213-488-1244
sales@arrowmounts.com**